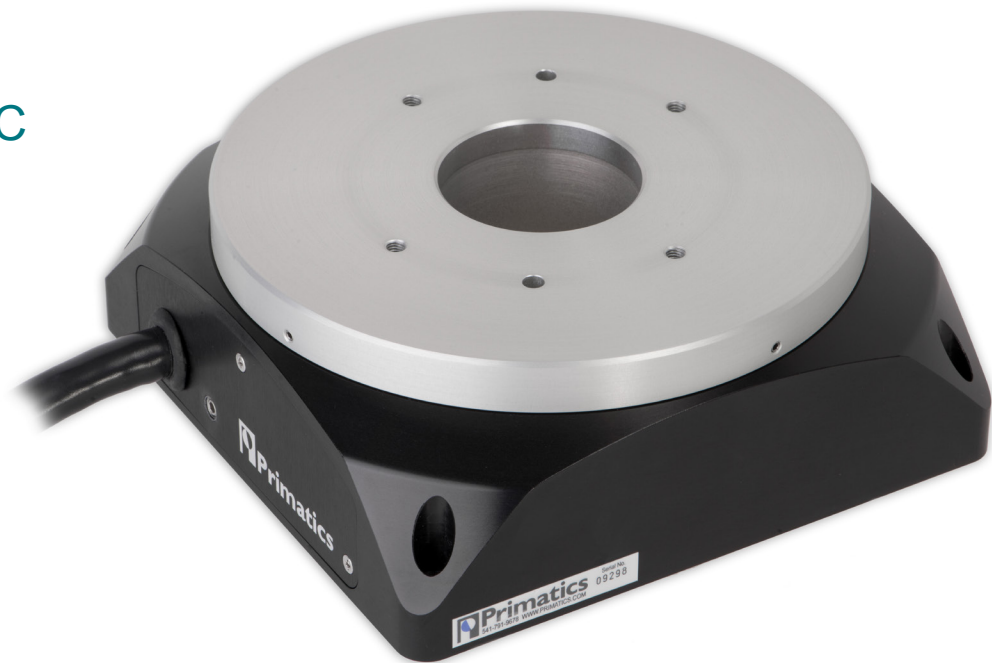


## PDR160C



### Features

- Direct drive continuous rotary motion
- Compact design
- Low maintenance and long life
- Resolution to 0.063 arcsec
- Home sensor
- Single cable connection
- Oversized cross roller bearing
- Error mapped accuracy option
- ISO 4 cleanroom option

### Overview

Primatics PDR160C rotary stage is among the most advanced direct drive tables available. It features a high performance direct drive motor that provides arcsecond repeatability and fast settling times making the PDR160C ideal for semiconductor wafer inspection, high speed laser machining, and precision metrology. The compact design also yields a smaller footprint than comparable worm drives.

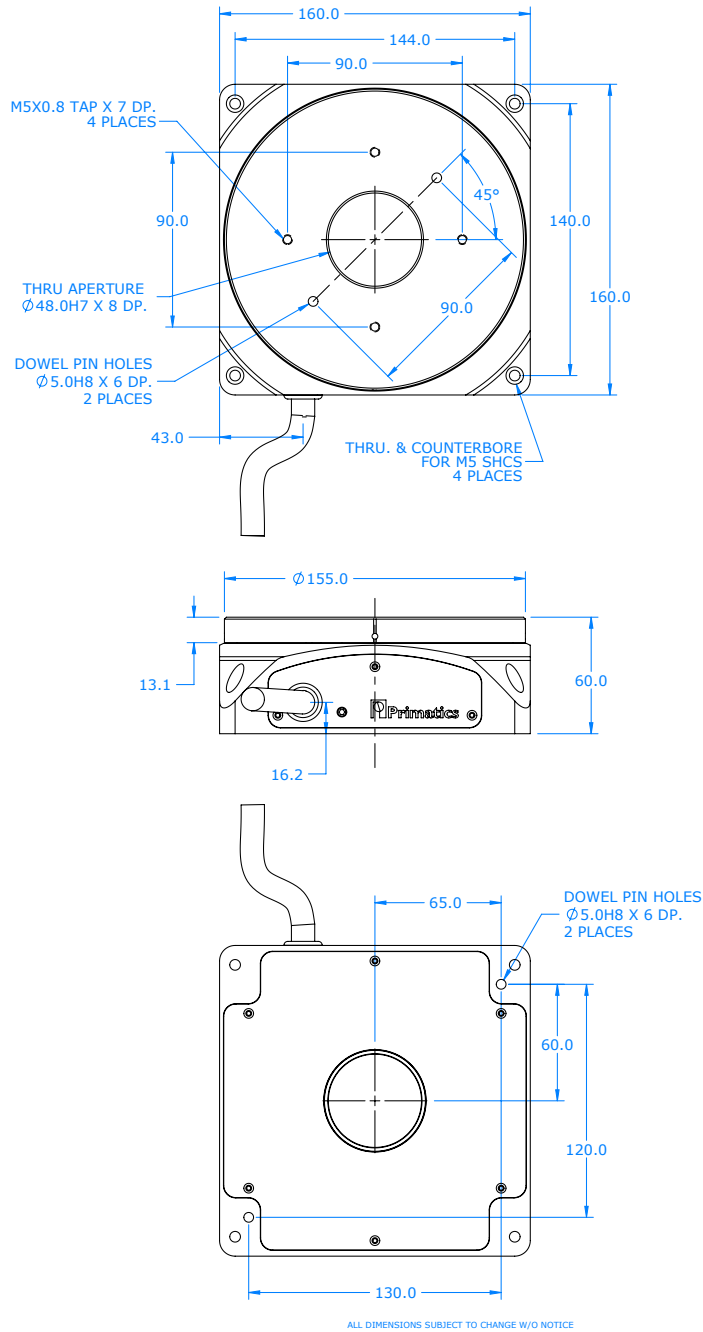
### Smart Design

The PDR160C incorporates a high pole count brushless servo motor which provides low velocity ripple even at low speeds. The high resolution glass disk optical encoder mounted directly to the rotating platen yields arcsecond resolution. A single electrical cable affixed to the stage simplifies integration and cable management. The oversized cross roller bearing supports the rotating platform, delivering high load capacity, excellent rigidity, and long life. A large center aperture allows a convenient routing of hoses or cables to the attached payload.

### Applications

Direct drive technology eliminates the backlash and wear found in mechanical drives such as worm gears. The direct connection of the motor and high resolution encoder provide high servo stiffness and response. These features combine to make the PDR160C an ideal choice for inspection and measuring applications found in many markets. For smaller payloads consider the PDR110C and for larger payloads consider the PDR210.

## Dimensions



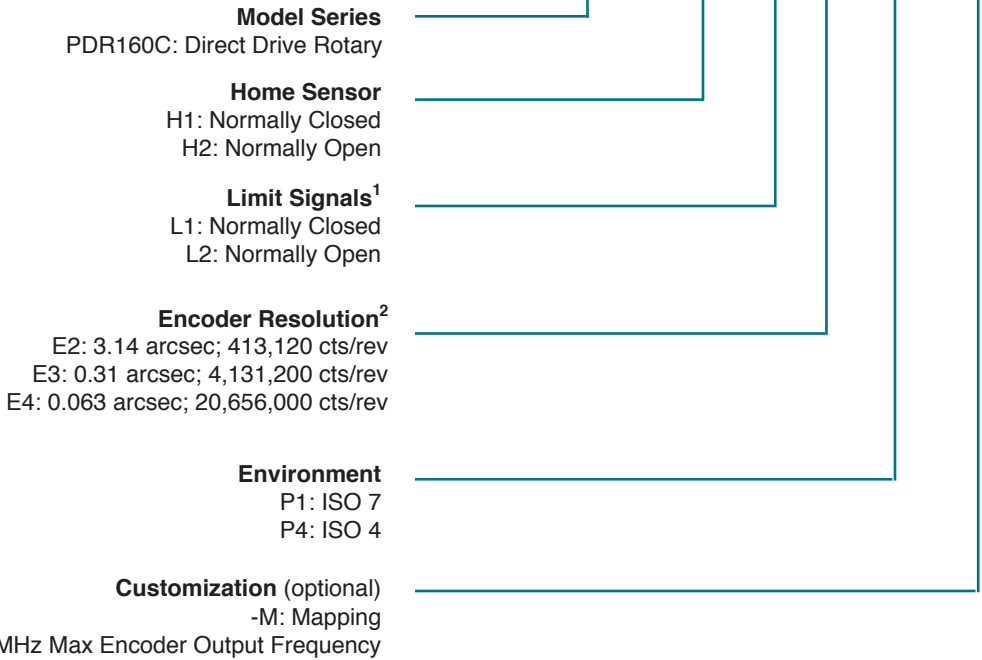






**ORBITAL**

Example: **PDR160C H1 L1 E2 P4 -M**



Notes: 1) The PDR series does not include limit sensors. The Limit Signal options are provided for compatibility with motion controller requirements. 2) Standard encoder max output frequency is 12.5 MHz.  
Not all configurations are valid - consult factory for assistance

**Accessories**

Model	Description
CABLE-SERVO-STAGE-PIGTAIL	Un-terminated at user end. 12 ft. standard
CABLE-SERVO-STAGE -DMC40X0-I200	Use with Galil DMC-40x0-I200 with trap servo drives. 12 ft. standard
CABLE-SERVO-STAGE -DMC40X0-I200-SINE	Use with Galil DMC-40x0-I200 with trap servo drives. 12 ft. standard
CABLE-SERVO-STAGE-MC4U W/ HALLS	Use with ACS MC4U. 12 ft. standard
CABLE-SERVO-ACS-CMNT-DIG	Use with ACS MC4U. 12 ft. standard